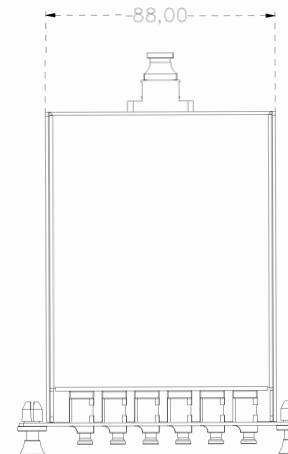
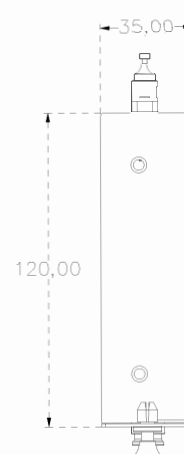
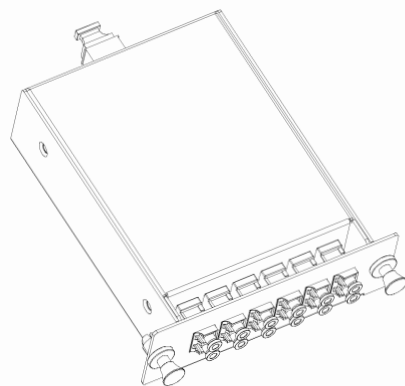
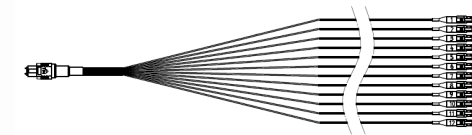
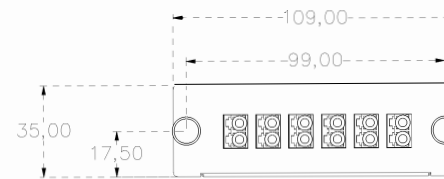




NOTES: UNLESS OTHERWISE SPECIFIED

1. MATERIALS AND COMPONENTS ARE RoHS/REACH COMPLIANT.
2. ABLES MEET THE REQUIREMENTS OF ANSI/TIA 568-C.3.

EXAMPLE OF 1 X 12 MPO FANOUT (WILL BE PRE-INSTALLED INO CASSETTE)



**TESTING**

**SINGLEMODE:**

- TYPICAL INSERTION LOSS MPO SIDE: 0.35dB Max (0.15dB Typ.)
- TYPICAL RETURN LOSS MPO SIDE:  $\geq 65$ dB
- TYPICAL INSERTION LOSS LC SIDE:  $\leq 0.2$ dB
- TYPICAL RETURN LOSS LC SIDE:  $\geq 55$ dB

**MULTIMODE:**

- TYPICAL INSERTION LOSS MPO SIDE: 0.35dB Max (0.20dB Typ.)
- TYPICAL RETURN LOSS MPO SIDE:  $\geq 35$ dB
- TYPICAL INSERTION LOSS LC SIDE:  $\leq 0.20$ dB
- TYPICAL RETURN LOSS LC SIDE:  $\geq 35$ dB

\*TEST REPORT INCLUDED WITH EACH CASSETTE

**Technical Requirements**

1. Material: 1.2mm cold-rolled steel sheet
2. Surface finish: Smooth, no burrs, scratches, or sharp edges
3. Finish color: Black fine-texture coating
4. Unspecified chamfer:  $0.3 \times 45^\circ$
5. Unspecified tolerances:  $\pm 0.3$

**FIBER TYPE:** MULTIMODEOM4 - 50/125  
SINGLEMODE OS2 - 9/125

**FIBER COUNT:** 12 FIBER - 1 X 12 MPO to 12

**CONNECTORS:** MPO MALE (PINNED) & LC

**POLISH:**  
MULTIMODE MPO - FLAT (INDUSTRY STANDARD)  
MULTIMODE LC - UPC (INDUSTRY STANDARD)  
SINGLEMODE MPO - APC (INDUSTRY STANDARD)  
SINGLEMODE LC - UPC (INDUSTRY STANDARD)

**POLARITY:** METHOD A (STRAIGHT THROUGH)

**CHASSIS TYPE:** UHD (Ultra) HIGH DENSITY

**Product Title:** MPO 12 Fiber (1 X 12 MPO Male) to 12 LC (6 Duplex Adapters)  
Ultra High Density (UHD) Cassette by QuickTrex®

**SKU:** QT-MPO-C-UHD-XX-12X1-6LC

Unit:mm

A4